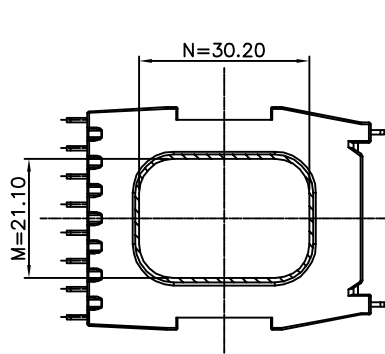
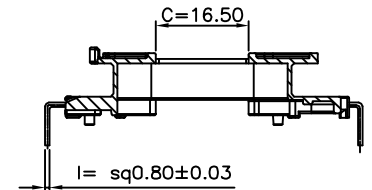
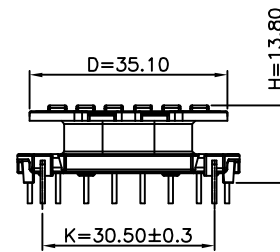
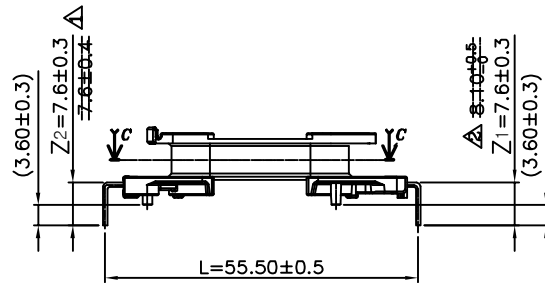
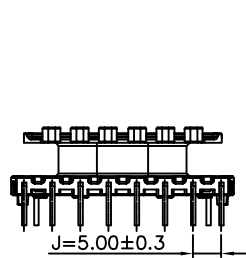
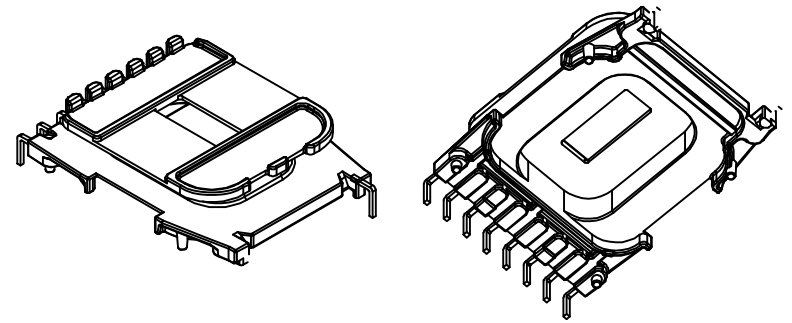
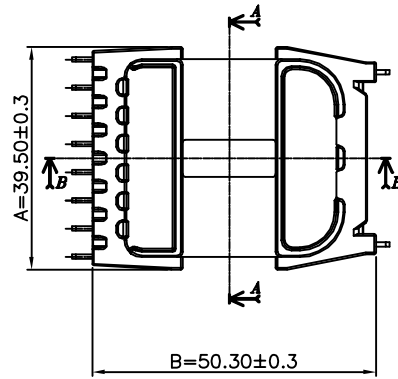
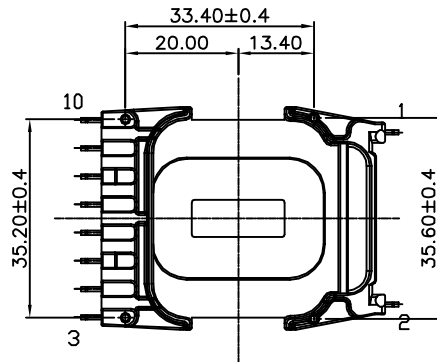


SECTION A-A



SECTION C-C



(유니온 - Remove pin no.5)

△									
△									
△									
△									
MARK	REVISION NOTE				DATE	DRAWN	CHECKED	APPROVED	
DRAWN	CHECKED	APPROVED	MATERIAL : PET(BK)	UL REC. : UL94V-0	THIRD ANGLE PROJ.	SCALE : 1/3			
HK, Yang	SH, Kim	C, Park	Z : PIN LENGTH (according to customer's request)	DATE : 13.04.09	TOLERANCE : ±0.2 (Unless otherwise specified)	UNIT : m/m			
주식회사 대흥보빈 DAE HEUNG BOBBIN CO., LTD					TITLE EE 42*14 "V" (10P) (B)		DWG NO DH-130423-3077-10		